

**FOR CUSTOMERS
WHO DEMAND THE BEST**

RIO 2000 High Flow Multi Candle Filter Module

Doulton®, the brand synonymous with top quality drinking water filters for 175 years, is able to offer a new, compact, high-flow filtration solution for the home.

Doulton's unique 6 element filter module fits most industry standard 10 inch "Big Blue" type housings. This gives you the option of upgrading installed filter housings with a Doulton® ceramic filter module, or supplying a complete Doulton® housing and module package.




Doulton
world class ceramic filters


**British
Berkefeld**
world class ceramic filters



- Filters you can trust - Ceramic filter elements manufactured in the UK under ISO conditions to meet international drinking water requirements.
- Upgrade - filter module fits most industry standard 10 inch "Big Blue" type filter housings.
- High flow - Filter module offers a superior flow rate of up to 520 gallons (2000 litres) per hour at 3 bar pressure.
- Excellent water flow even in low water pressure areas.
- Ceramic filters remove:
 - Pathogenic bacteria (E-coli, Cholera, Typhoid, Salmonella, etc.).
 - Cysts (Cryptosporidium, Giardia, etc.).
 - Sub micron particle contamination.
- An added value alternative to UV water treatment systems, which does not require electricity.



www.faireyceramics.com



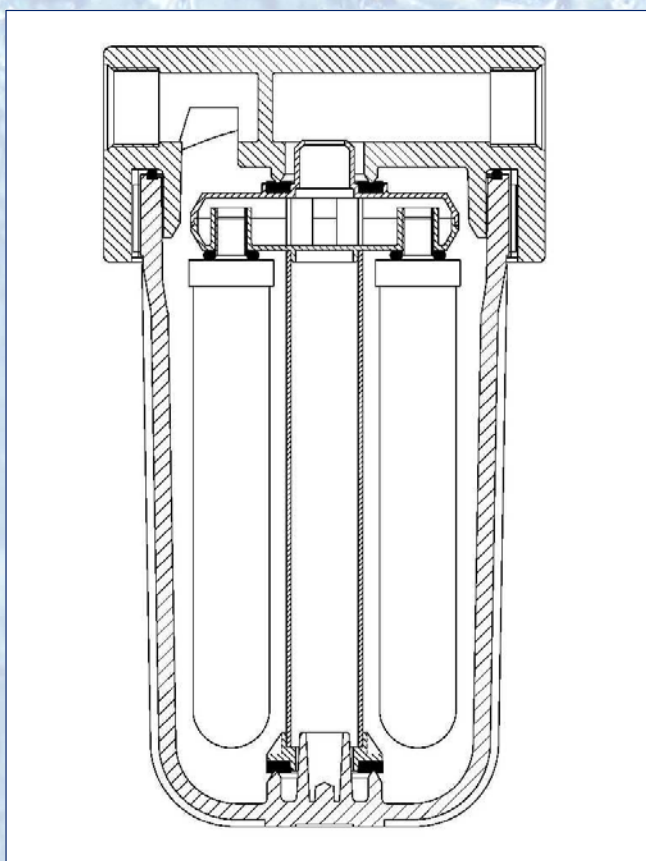
Doulton's NSF certified products are only listed for specific claims against standard 42 and 53.

HEALTHY WATER
HEALTHY LIFE

Doulton
world class ceramic filters

British Berkefeld
world class ceramic filters

Technical Specifications



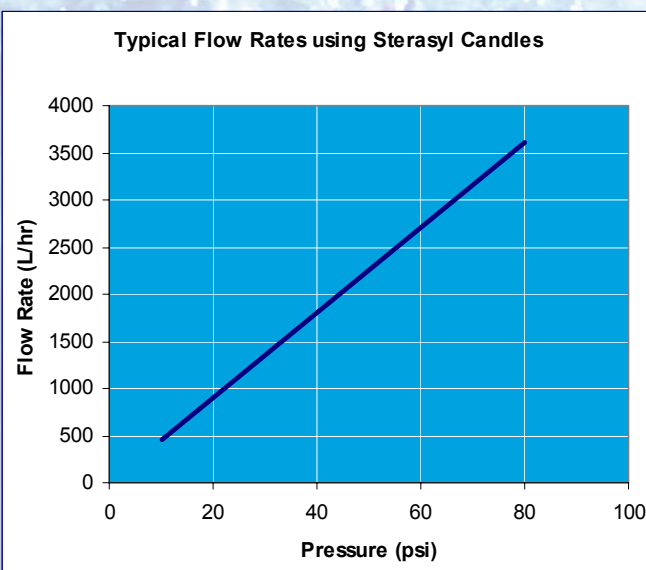
Model	Rio 2000 Multi-Candle Filter Module
Typical output *	Up to 520 US Gallons (2000 litres) per hour
Filtration Rating (Absolute) Defined as >99.99%	0.9 microns
Filtration Rating (Nominal) Defined as >99.9%	0.5 to 0.8 microns
* Measured at 3 Bar. Output will alter dependant on pressure and condition of water.	

Replacement Candles

- The Rio 2000 Multi Candle Filter Module requires 6 x Sterasyl™ Candles, Ø32mm (1.2") x 200mm (8") long.
- The module is designed to fit most industry standard 10" housings.

Product Performance

% Bacteria Removal	E. Coli	>99.99%
	Vibrio Cholerae (Cholera)	>99.99%
	Shigella	>99.999%
	Salmonella Typhi (Typhoid)	>99.999%
	Klebsiella Terrigena	>99.999%
% Cyst Removal	Cryptosporidium	>99.999%
	Giardia	>99.999%



Patent Pending
Not available in California, Iowa, Massachusetts or Wisconsin



www.faireyceramics.com



Doulton's NSF certified products are only listed for specific claims against standard 42 and 53.